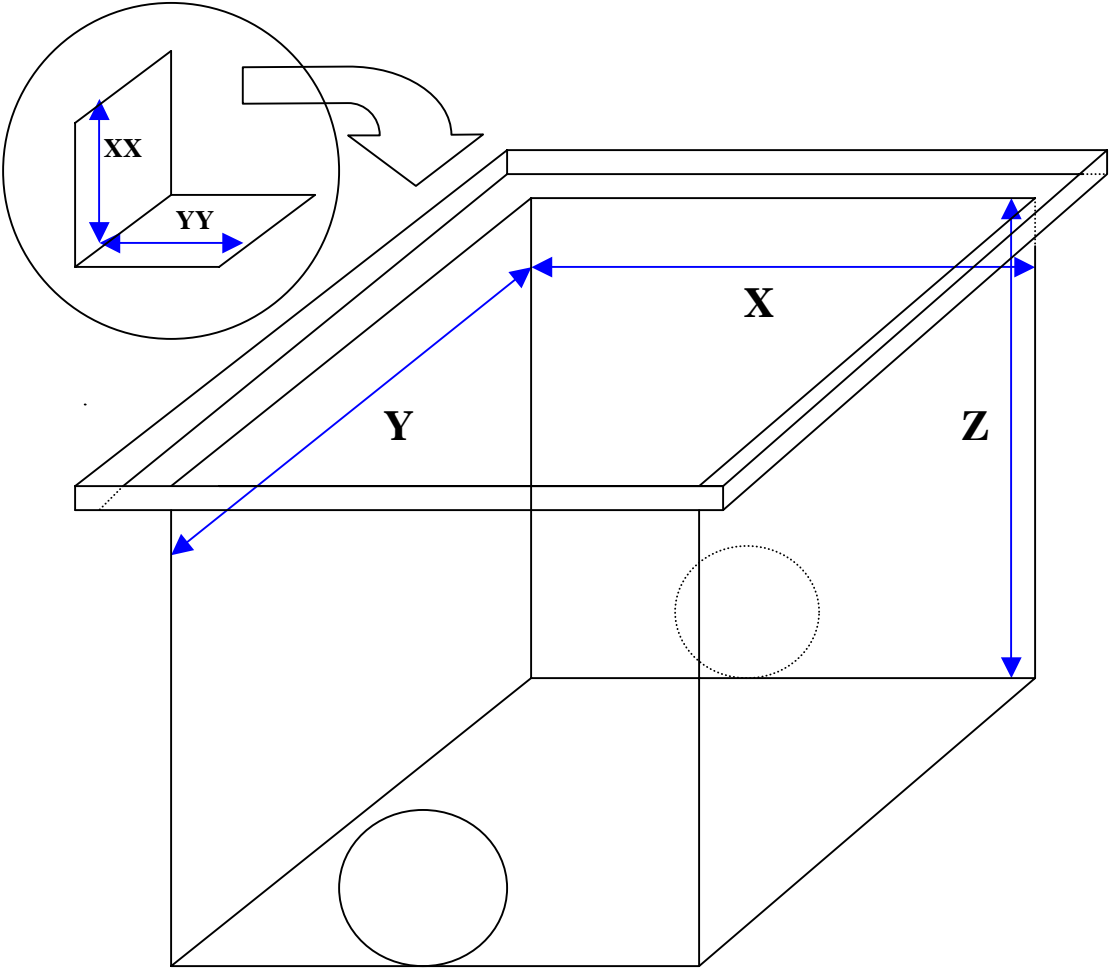


Concrete or Iron Lip where grate sits



Note: The Inceptor is designed to lift in and out of the catch basin. Measurements must include any protrusions such as ladders and pipes.